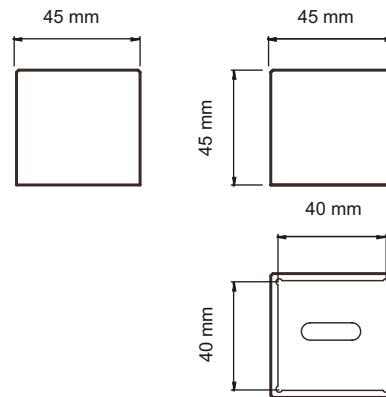


Dimensions



Technical data

Mechanical specifications

Material	PTFE
----------	------

Model Number

TC-RHINO

Protective cover

Features

- Protection against mechanical damage and welding splash
- Increased protection for front of the sensor